



LINEAR SLOT DIFFUSERS



INDEX

	Page
Introduction.....	04
Supply Linear Slot Diffuser Model AHS LSD.....	05
Return Linear Slot Diffuser Model AHS LRD.....	06
Supply/Return Curved Linear Slot Diffuser Model AHS CLSD.....	07
Slot Diffuser Dimensions	08
End Caps & Air Deflections	09
Engineering Guidelines	10 – 18
Installation Details.....	19



Our Product Ranges

Dampers

- 1 Fire Dampers
- 2 Fire / Smoke Dampers
- 3 Volume Control Dampers
- 4 Motorized Control Dampers
- 5 Pressure Relief Dampers /Non Return Dampers

Variable Air Volumes

- 6 Pressure Independent VAV
- 7 Constant Air Volume VAV
- 8 By Pass VAV

Louvers

- 9 Sand Trap Louvers
- 10 Acoustic Louvers
- 11 Stationery Louvers / Architectural Louvers
- 12 Storm Louvers
- 13 Weather Louvers

Sound Attenuators

- 14 Rectangular Sound Attenuators
- 15 Circular Sound Attenuators
- 16 Crosstalk Attenuators

Electric Duct Heaters

- 17 Flange & Slip 'n' Type
- 18 Modulating & On/Off Type

Air Outlets

- 19 Registers & Grilles
- 20 Diffusers (Linear Diffusers, Sq. & Rect. Ceiling Diffusers, Round Diffusers, Jetflow Diffusers)
- 21 Swirl Diffusers & Disc Valves
- 22 Drum Louvers



Airwellcare Linear Slot Diffusers have been designed to satisfy architectural concepts that require continuous length applications without compromising air distribution performance.

Airwellcare linear slot diffusers provide a combination of engineering excellence and architectural appeal in a single product. The solid extruded aluminum construction contributes to the clean, crisp, straight lines without any compromise to air distribution performance.

Slot diffusers are being selected where the area of the closed room with larger area. Airwellcare linear slot diffusers are most commonly used air-conditioning outlets which normally installed in ceiling and window sills. Required air pattern can be achieved by adjusting deflector blades. A complete horizontal throw is possible with these special blades.



Key Features

- ❖ 20mm slot width as standard and other widths of 16mm & 25mm are available
- ❖ Up to 6 Mtrs. long slot diffusers available as single unit.
- ❖ Optional hit & miss dampers and acoustically insulated plenum boxes.
- ❖ Up to 8 numbers of slots available
- ❖ 18mm high aluminium extruded deflector blades

Linear Slot Diffuser



Model: AHS LSD

Supply Linear Slot Diffuser

Construction & Specification

Frame & Blade

Frames and Blades are made of High quality Extruded Aluminium Profiles.

Number of Available Slots

Upto 8 Nos of Slots are available.

Available Length (Single Pc)

Upto 5.8 Meters of Single Pc. Length is available.

Slot Width

20mm Slot Width is available as standard. 16 & 25mm Slot Widths are also available as optional.

Frame Width

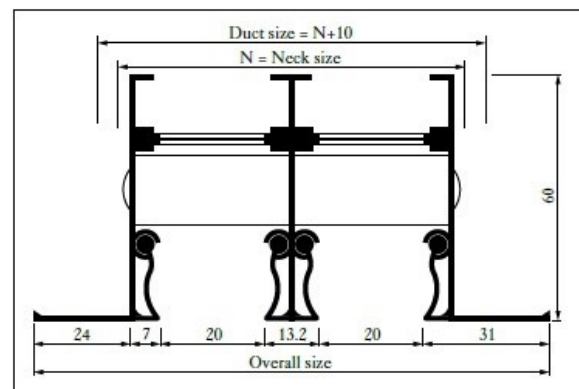
30mm frame width as standard. 20mm is also available as optional.

Damper

Hit & Miss Damper.

Description & Finishes

- Frame & Blades are made of high quality aluminium extruded profile.
- High Corrosion Resistant Spacers and blades are rigidly fixed by aluminium supports and rivets.
- Damper Blades are adjustable from the face of opening.
- Airflow can be adjustable by fixing hit and miss damper at the rear side of the Diffuser.
- Distribution of Air can be controlled / changed vertically or horizontally by means of deflection blades, which can be adjusted from face opening.
- Foam gasket seal around the neck of the slot diffusers as optional to avoid air leakage.



Finishes

- ◆ Standard finishes are Powder Coated finish as per standard RAL Colour Codes.
- ◆ Optional Finishes with Aluminium Anodized.
- ◆ Other Powder Coated finishes such as Metallic & SDF are also available upon customers choice.

Linear Slot Diffuser



Model: AHS LRD

Return Linear Slot Diffuser

Construction & Specification

Frame & Blade

Frames and Blades are made of High quality Extruded Aluminium Profiles.

Number of Available Slots

Upto 8 Nos of Slots are available.

Available Length (Single Pc)

Upto 5.8 Meters of Single Pc. Length is available.

Slot Width

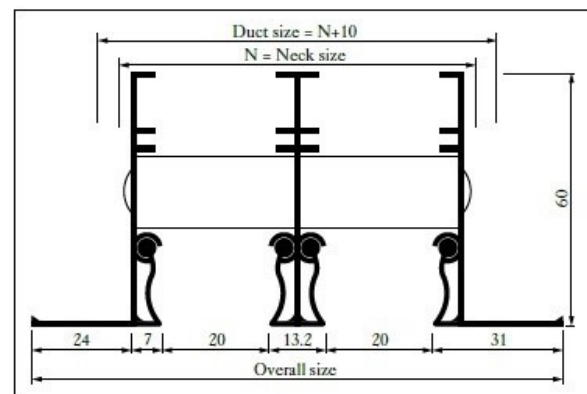
20mm Slot Width is available as standard. 16 & 25mm Slot Widths are also available as optional.

Frame Width

30mm frame width as standard. 20mm is also available as optional.

Description & Finishes

- Frame & Blades are made of high quality aluminium extruded profile.
- Damper will be provided as Option. Standard supply is without Hit & Miss Damper.
- Most commonly, linear slot diffusers comes with more than 6.0 Meter length, hence, straight line alignment can be obtained using alignment strips. These alignment strips are useful to install them with uninterrupted run and to give better aesthetic appearance.



Finishes

- ◆ Standard finishes are Powder Coated finish as per standard RAL Colour Codes.
- ◆ Optional Finishes with Aluminium Anodized.
- ◆ Other Powder Coated finishes such as Metallic & SDF are also available upon customers choice.

Linear Slot Diffuser



Model: AHS CLSD

Curved Linear Slot Diffuser (Supply & Return)

Construction & Specification

Frame & Blade

Frames and Blades are made of High quality Extruded Aluminium Profiles.

Number of Available Slots

Upto 8 Nos of Slots are available.

Available Length (Single Pc)

Upto 3.0 Meters Length is available in a single Pc.

Slot Width

20mm Slot Width is available as standard. 16 & 25mm Slot Widths are also available as optional.

Frame Width

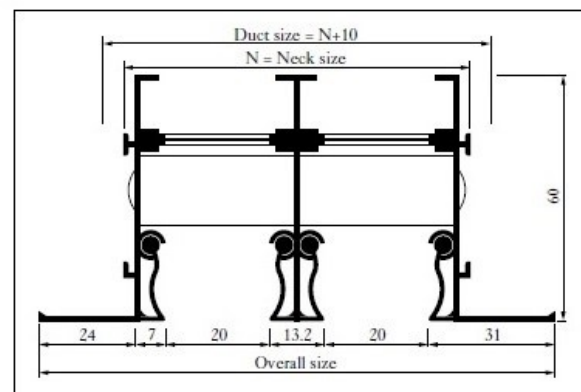
30mm frame width as standard. 20mm is also available as optional.

Damper

Hit & Miss Damper.

Description & Finishes

- Frame & Blades are made of high quality aluminium extruded profile.
- High Corrosion Resistant Spacers and blades are rigidly fixed by aluminium supports and rivets.
- Damper Blades are adjustable from the face of opening.
- Airflow can be adjustable by fixing hit and miss damper at the rear side of the Diffuser.
- Distribution of Air can be controlled / changed vertically or horizontally by means of deflection blades, which can be adjusted from face opening.
- Foam gasket seal around the neck of the slot diffusers as optional to avoid air leakage.



RETURN Curved Slot Diffusers are supplied without Hit & Miss Damper.

Finishes

- ◆ Standard finishes are Powder Coated finish as per standard RAL Colour Codes.
- ◆ Optional Finishes with Aluminium Anodized.
- ◆ Other Powder Coated finishes such as Metallic & SDF are also available upon customers choice.

Slot Diffuser Dimensions

16mm Slot Opening

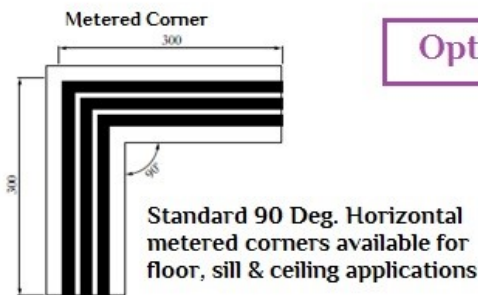
No. of slots	1	2	3	4	5	6	7	8
Neck size in mm	39	69	99	129	160	190	220	250
Duct size in mm	49	79	109	139	170	200	230	260
Overall size	79	109	130	169	200	230	260	290

20mm Slot Opening

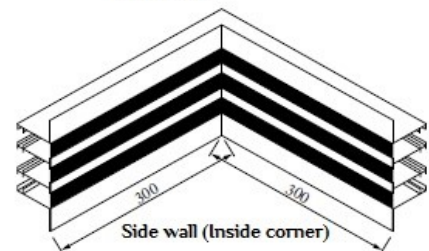
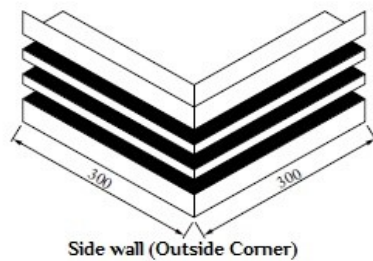
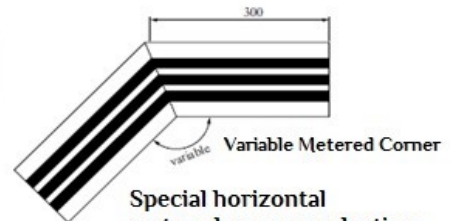
No. of slots	1	2	3	4	5	6	7	8
Neck size in mm	43	77	110	145	180	214	248	282
Duct size in mm	53	87	121	155	190	224	258	292
Overall size	83	117	151	185	220	254	288	322

25mm Slot Opening

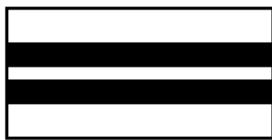
No. of slots	1	2	3	4	5	6	7	8
Neck size in mm	48	87	126	165	205	244	283	322
Duct size in mm	58	97	136	175	215	254	293	332
Overall size	88	127	166	205	245	284	323	362



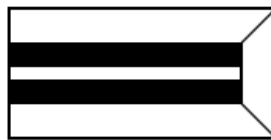
Optional Metered Corner



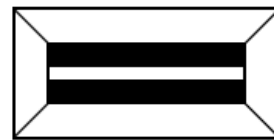
End Caps & Air Deflections



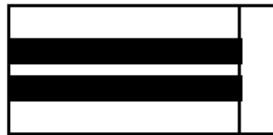
OPEN ENDS



ONE SIDE END FLANGE



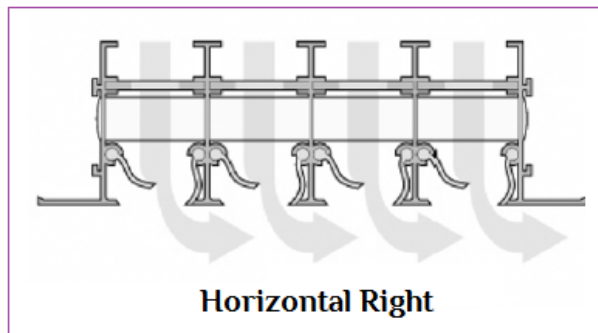
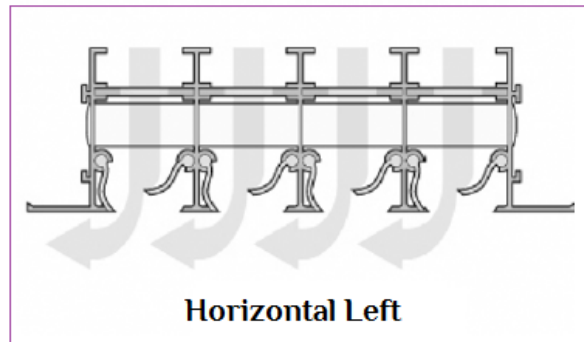
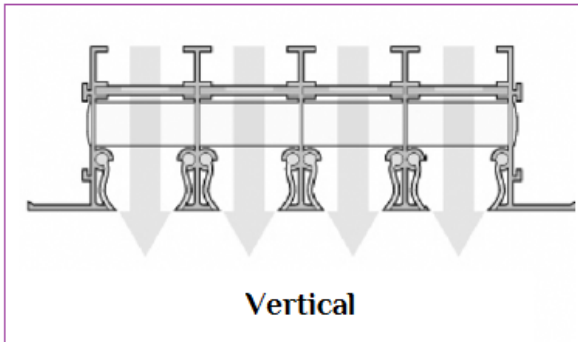
BOTH SIDE END FLANGES



ONE SIDE END CAP



BOTH SIDE END CAPS



Engineering Guidelines

20mm Slot Width - Model AHS LSD

No. of Slots A _K in m ²	Air Flow rate		50	75	100	125	150	175
	Cfm	m ² /sec						
1	Air Flow rate		50	75	100	125	150	175
			0.024	0.035	0.047	0.059	0.071	0.083
	Face velocity (m/sec)		2.61	3.80	5.11	6.41	7.72	9.02
	Throw (m)		3.6-2.1-0.6	4.9-3.0-1.8	6.1-4.3-2.7	7.0-4.9-3.7	7.6-5.8-4.6	8.5-6.7-5.2
	Ps (mm H ₂ O)		0.65	1.44	2.55	3.97	4.37	6.12
0,092	Noise criteria (NC)		<15	18	30	35	38	41
2	Air Flow rate		100	125	150	175	200	250
			0,047	0,059	0,071	0,083	0,094	0,118
	Face velocity (m/sec)		2.61	3.28	3.94	4.61	5.22	6.55
	Throw (m)		4.3-2.4-0.6	5.2-3.0-1.5	6.1-3.9-2.1	6.7-4.6-3.0	7.0-5.2-4.3	7.9-6.1-4.9
	Ps (mm H ₂ O)		0,97	1,47	2,12	2,87	3,73	5,78
0,018	Noise criteria (NC)		<15	20	28	30	33	39
3	Air Flow rate		125	150	200	225	250	300
			0,059	0,071	0,094	0,106	0,118	0,142
	Face velocity (m/sec)		2,11	2,53	3,36	3,78	4,21	5,07
	Throw (m)		4,2-2,2-0,7	4,9-2,9-1,4	5,5-3,7-2,4	6,5-4,4-3,3	7,6-5,3-4,0	8,6-6,2-4,7
	Ps (mm H ₂ O)		0,86	1,21	2,17	2,73	3,34	4,37
0,028	Noise criteria (NC)		<15	18	25	29	34	37
4	Air Flow rate		150	200	250	300	350	400
			0,071	0,094	0,118	0,142	0,165	0,189
	Face velocity (m/sec)		1,91	2,53	3,17	3,82	4,43	5,08
	Throw (m)		4,6-2,7-1,1	5,4-3,6-2,0	6,1-4,5-3,1	6,7-5,2-3,9	7,9-5,6-4,5	8,8-6,7-5,2
	Ps (mm H ₂ O)		0,72	1,39	1,98	2,85	3,84	4,51
0,0372	Noise criteria (NC)		<15	21	25	30	35	38

- Data based on one meter length of the diffuser with damper fully opened.
- Face velocity is measured in m/sec.
- Ps Static pressure loss is in mm of H₂O. Area factor in square meters.
- Throw (meters) is measured for a terminal velocities of 0.25, 0.5 and 0.75 m/sec.
- NC based on a room attenuation of 10 dB.

Engineering Guidelines

25mm Slot Width - Model AHS LSD

No. of Slots A _K in m ²										
1	Air Flow rate	Cfm	75	100	125	150	176	200	-	-
		m ² /sec	0,035	0,047	0,059	0,071	0,083	0,094	-	-
	Face velocity (m/sec)	3.02	4.05	5.09	6.12	7.15	8.10	-	-	
	Throw (m)	5.3-3.2-1.9	6.6-4.6-2.8	7.7-5.3-3.9	8.4-6.3-4.8	9.4-7.2-5.5	10.5-8.2-6.1	-	-	
	Ps (mm H ₂ O)	0.78	1.53	2.53	3.79	4.05	5.49	-	-	
	Noise criteria (NC)	16	25	29	33	36	40	-	-	
0.0116										
2	Air Flow rate	Cfm	125	150	175	200	250	300	-	-
		m ² /sec	0.059	0.071	0.083	0.094	0.118	0.142	-	-
	Face velocity (m/sec)	2.52	3.03	3.55	4.02	5.04	6.07	-	-	
	Throw (m)	5.6-3.2-1.6	6.6-4.1-2.2	7.4-5.0-3.2	7.7-5.6-4.5	8.8-6.6-5.2	10.0-7.9-6.0	-	-	
	Ps (mm H ₂ O)	0.94	1.36	1.91	2.13	2.75	3.93	-	-	
	Noise criteria (NC)	<15	17	24	28	34	39	-	-	
0.0234										
3	Air Flow rate	Cfm	150	200	225	250	300	350	400	-
		m ² /sec	0.071	0.094	0.106	0.118	0.142	0.165	0.189	-
	Face velocity (m/sec)	2.03	2.68	3.03	3.37	4.06	4.71	5.40	-	
	Throw (m)	4.9-2.9-1.2	5.6-3.6-2.2	6.9-4.3-3.3	7.7-5.3-3.9	8.8-6.3-4.6	10.0-7.4-5.2	10.6-7.9-5.6	-	
	Ps (mm H ₂ O)	0.83	1.28	1.96	2.13	2.73	3.71	4.15	-	
	Noise criteria (NC)	<15	17	22	27	32	36	40	-	
0.035										
4	Air Flow rate	Cfm	200	250	300	350	400	450	500	550
		m ² /sec	0.094	0.118	0.142	0.165	0.189	0.213	0.236	0.26
	Face velocity (m/sec)	1.96	2.46	2.96	3.44	3.94	4.44	4.92	5.42	
	Throw (m)	5.6-3.6-1.9	6.3-4.3-2.8	7.0-4.9-3.6	7.7-5.5-4.2	8.7-6.6-4.9	9.5-7.2-5.4	10.0-7.7-6.0	10.9-8.4-6.5	
	Ps (mm H ₂ O)	0.72	1.93	1.92	2.64	2.97	3.42	4.18	4.63	
	Noise criteria (NC)	<15	17	22	28	32	35	38	41	
0.048										

- Data based on one meter length of the diffuser with damper fully opened.
- Face velocity is measured in m/sec.
- Ps Static pressure loss is in mm of H₂O. Area factor in square meters.
- Throw (meters) is measured for a terminal velocities of 0.25, 0.5 and 0.75 m/sec.
- NC based on a room attenuation of 10 dB.



Engineering Guidelines

25mm Slot Width - Model AHS LSD

No. of Slots A _K in m ²										
5	Air Flow rate	Cfm	300	350	400	450	500	550	600	650
		m ² /sec	0.142	0.165	0.189	0.213	0.236	0.260	0.283	0.307
	Face velocity (m/sec)	2.45	2.84	3.26	3.67	4.07	4.48	4.88	5.29	
	Throw (m)	6.6-4.5-3.5	6.9-4.9-3.6	7.4-5.2-3.9	8.0-5.9-4.5	8.8-6.7-5.2	9.6-7.5-5.8	10.6-8.4-6.6	11.6-8.8-7.1	
	Ps (mm H ₂ O)	1.42	2.17	2.72	3.14	3.68	4.10	4.46	4.73	
0.058	Noise criteria (NC)	17	23	26	31	33	36	38	41	
6	Air Flow rate	Cfm	350	400	450	500	600	700	800	-
		m ² /sec	0.165	0.189	0.213	0.236	0.283	0.331	0.378	-
	Face velocity (m/sec)	2.32	2.66	3.0	3.32	3.98	4.66	5.32		
	Throw (m)	6.9-5.2-3.8	7.6-5.6-4.2	8.0-5.9-4.5	8.8-6.3-4.9	9.2-6.8-5.2	10.7-8.4-6.5	12.0-9.1-7.4		-
	Ps (mm H ₂ O)	1.49	1.84	2.21	2.94	3.69	4.26	5.13		-
0.071	Noise criteria (NC)	17	21	24	28	32	37	41		-
7	Air Flow rate	Cfm	400	450	500	600	700	800	900	-
		m ² /sec	0.189	0.213	0.236	0.283	0.331	0.378	0.425	-
	Face velocity (m/sec)	2.30	2.60	2.88	3.45	4.04	4.61	5.18		-
	Throw (m)	7.0-5.3-4.0	7.8-5.9-4.5	7.9-6.2-4.7	9.0-6.6-5.3	9.6-7.1-5.6	11.0-8.9-7.0	12.2-9.4-7.5		-
	Ps (mm H ₂ O)	1.51	1.93	2.23	3.14	3.97	4.47	5.34		-
0.082	Noise criteria (NC)	17	22	24	29	34	38	42		-
8	Air Flow rate	Cfm	500	600	700	800	900	1000	-	-
		m ² /sec	0.236	0.283	0.331	0.378	0.425	0.472	-	-
	Face velocity (m/sec)	2.51	3.01	3.52	4.02	4.52	5.02	-	-	
	Throw (m)	7.2-5.6-4.2	8.5-6.3-5.0	9.3-6.8-5.5	9.8-7.4-6.0	11.3-9.2-7.3	12.5-9.6-7.8	-	-	
	Ps (mm H ₂ O)	1.82	3.05	3.18	4.12	4.63	5.34	-	-	
0.094	Noise criteria (NC)	18	28	31	35	39	43	-	-	



Engineering Guidelines

16mm Slot Width - Model AHS LSD

No. of Slots A _{in} in m ²								
1	Air Flow rate	Cfm	30	50	75	100	125	150
		m ² /sec	0.014	0.024	0.035	0.047	0.059	0.071
	Face velocity (m/sec)	1.94	3.33	4.86	6.53	8.19	9.86	
	Throw (m)	2.5-1.5-0.4	4.1-2.5-1.4	5.6-3.8-2.3	6.8-4.7-3.3	7.4-5.0-3.8	8.1-5.8-4.4	
	Ps (mm H ₂ O)	0.51	1.34	2.62	4.41	5.10	7.42	
	Noise criteria (NC)	<15	18	29	36	40	43	
2	Air Flow rate	Cfm	50	75	100	125	150	200
		m ² /sec	0.024	0.035	0.047	0.059	0.071	0.094
	Face velocity (m/sec)	1.71	2.50	3.36	4.21	5.07	6.71	
	Throw (m)	3.0-1.6-0.6	3.7,2.0-0.9	4.3-2.5-1.3	5.3-3.7-1.9	6.2-4.4-2.8	7.3-4.9-3.5	
	Ps (mm H ₂ O)	0.65	1.19	1.95	2.83	3.95	6.57	
	Noise criteria (NC)	<15	17	21	29	33	41	
3	Air Flow rate	Cfm	100	125	150	175	200	250
		m ² /sec	0.047	0.059	0.071	0.083	0.094	0.118
	Face velocity (m/sec)	2.24	2.81	3.38	3.95	4.48	5.62	
	Throw (m)	3.5-1.9-0.8	3.9-2.2-1.1	4.9-2.8-1.7	5.3-3.4-2.1	5.9-3.9-2.4	6.9-5.2-3.3	
	Ps (mm H ₂ O)	0.96	1.42	2.36	3.11	3.91	5.38	
	Noise criteria (NC)	17	21	25	30	36	39	
4	Air Flow rate	Cfm	125	150	175	200	250	300
		m ² /sec	0.059	0.071	0.083	0.094	0.120	0.142
	Face velocity (m/sec)	2.11	2.53	2.96	3.36	4.28	5.07	
	Throw (m)	3.6-2.0-0.9	3.9-2.3-1.3	4.4-3.1-1.9	5.2-3.4-2.2	5.9-4.1-2.7	6.4-4.9-3.2	
	Ps (mm H ₂ O)	0.84	1.49	2.0	2.73	4.03	5.0	
	Noise criteria (NC)	17	22	25	29	34	38	

- Data based on one meter length of the diffuser with damper fully opened.
- Face velocity is measured in m/sec.
- Ps Static pressure loss is in mm of H₂O. Area factor in square meters.
- Throw (meters) is measured for a terminal velocities of 0.25, 0.5 and 0.75 m/sec.
- NC based on a room attenuation of 10 dB.



Engineering Guidelines

16mm Slot Width - Model AHS LSD

No. of Slots A_k in m^2								
5	Air Flow rate	Cfm	150	200	250	300	350	400
		m^2/sec	0.071	0.094	0.118	0.142	0.165	0.189
	Face velocity (m/sec)	1.97		2.61	3.29	3.94	4.58	5.25
	Throw (m)	3,7-2,1-1,0	4,1-2,5-1,5	5,2-3,4-2,2	6,0-4,2-2,8	6,4-4,9-3,2	7,3-5,5-3,7	
	Ps (mm H ₂ O)	1.16		1.71	2.73	3.96	4.63	5.38
0,036	Noise criteria (NC)	16		23	29	32	35	39
6	Air Flow rate	Cfm	200	250	300	350	400	500
		m^2/sec	0.094	0.116	0.142	0.165	0.189	0.236
	Face velocity (m/sec)	2.19		2.74	3.30	3.84	4.39	5.49
	Throw (m)	3,9-2,4-1,3	4,7-2,8-1,7	5,6-3,6-2,5	6,3-4,4-3,0	6,7-5,2-3,5	7,9-5,6-4,1	
	Ps (mm H ₂ O)	1.16		1.71	2.73	3.96	4.63	5.38
0,43	Noise criteria (NC)	16		23	29	32	35	39
7	Air Flow rate	Cfm	250	300	350	400	500	600
		m^2/sec	0.118	0.142	0.165	0.189	0.236	0.283
	Face velocity (m/sec)	2.41		2.90	3.37	3.86	4.82	5.77
	Throw (m)	4,2-2,5-1,4	4,9-3,1-1,9	5,9-3,8-2,6	6,5-4,7-3,2	7,1-5,3-3,7	8,3-5,9-4,3	
	Ps (mm H ₂ O)	1.61		1.82	2.58	3.68	5.0	6.06
0,049	Noise criteria (NC)	20		25	29	32	37	42
8	Air Flow rate	Cfm	350	400	450	500	600	700
		m^2/sec	0.165	0.189	0.213	0.236	0.283	0.331
	Face velocity (m/sec)	2.89		3.31	3.74	4.14	4.96	5.81
	Throw (m)	5,1-3,2-2,2	6,0-3,9-2,7	6,6-4,8-3,3	7,0-5,2-3,6	8,3-5,6-4,2	8,7-6,1-4,5	
	Ps (mm H ₂ O)	2.02		2.15	3.02	3.89	5.16	6.27
0,057	Noise criteria (NC)	24		30	32	35	39	42

- Data based on one meter length of the diffuser with damper fully opened.
- Face velocity is measured in m/sec.
- Ps Static pressure loss is in mm of H₂O. Area factor in square meters.
- Throw (meters) is measured for a terminal velocities of 0.25, 0.5 and 0.75 m/sec.



Engineering Guidelines

16mm Slot Width - Model AHS CLSD

No. of Slots							
1	CFM/m	100	150	200	250	300	350
	M ³ /sec/m	0.047	0.071	0.094	0.118	0.142	0.165
	Neg Ps	0.7	1.59	2.82	4.49	6.49	8.84
	NC	17	21	30	38	45	52
2	CFM/m	250	300	350	400	450	500
	M ³ /sec/m	0.118	0.142	0.165	0.189	0.213	0.236
	Neg Ps	1.17	1.71	2.38	3.09	3.93	4.88
	NC	20	26	31	37	42	46
3	CFM/m	350	400	450	500	600	700
	M ³ /sec/m	0.165	0.189	0.213	0.236	0.283	0.331
	Neg Ps	1.19	1.56	1.96	2.42	3.54	4.82
	NC	20	26	29	34	40	46
4	CFM/m	400	500	600	700	800	900
	M ³ /sec/m	0.189	0.236	0.283	0.331	0.378	0.425
	Neg Ps	0.88	1.38	2.02	2.78	3.87	4.88
	NC	17	25	30	35	41	47
5	CFM/m	500	600	700	800	1000	1200
	M ³ /sec/m	0.236	0.283	0.331	0.378	0.472	0.567
	Neg Ps	0.88	1.29	1.78	2.31	3.63	5.24
	NC	17	26	29	35	41	48
6	CFM/m	600	700	800	1000	1200	1400
	M ³ /sec/m	0.283	0.331	0.378	0.472	0.567	0.66
	Neg Ps	0.96	1.25	2.08	2.57	4.20	5.7
	NC	19	28	34	37	40	49
7	CFM/m	700	800	1000	1200	1400	1600
	M ³ /sec/m	0.331	0.378	0.472	0.567	0.66	0.76
	Neg Ps	1.07	1.38	2.14	2.78	4.36	5.7
	NC	20	28	33	39	43	50
8	CFM/m	800	900	1100	1300	1500	1700
	M ³ /sec/m	0.378	0.425	0.52	0.61	0.71	0.8
	Neg Ps	1.17	1.31	2.29	2.89	4.61	5.9
	NC	22	31	37	40	45	50



Engineering Guidelines

16mm Slot Width - Model AHS CLSD

No. of Slots							
1	CFM/m	100	150	200	250	300	350
	M ³ /sec/m	0.047	0.071	0.094	0.118	0.142	0.165
	Neg Ps	0.7	1.59	2.82	4.49	6.49	8.84
	NC	17	21	30	38	45	52
2	CFM/m	250	300	350	400	450	500
	M ³ /sec/m	0.118	0.142	0.165	0.189	0.213	0.236
	Neg Ps	1.17	1.71	2.38	3.09	3.93	4.88
	NC	20	26	31	37	42	46
3	CFM/m	350	400	450	500	600	700
	M ³ /sec/m	0.165	0.189	0.213	0.236	0.283	0.331
	Neg Ps	1.19	1.56	1.96	2.42	3.54	4.82
	NC	20	26	29	34	40	46
4	CFM/m	400	500	600	700	800	900
	M ³ /sec/m	0.189	0.236	0.283	0.331	0.378	0.425
	Neg Ps	0.88	1.38	2.02	2.78	3.87	4.88
	NC	17	25	30	35	41	47
5	CFM/m	500	600	700	800	1000	1200
	M ³ /sec/m	0.236	0.283	0.331	0.378	0.472	0.567
	Neg Ps	0.88	1.29	1.78	2.31	3.63	5.24
	NC	17	26	29	35	41	48
6	CFM/m	600	700	800	1000	1200	1400
	M ³ /sec/m	0.283	0.331	0.378	0.472	0.567	0.66
	Neg Ps	0.96	1.25	2.08	2.57	4.20	5.7
	NC	19	28	34	37	40	49
7	CFM/m	700	800	1000	1200	1400	1600
	M ³ /sec/m	0.331	0.378	0.472	0.567	0.66	0.76
	Neg Ps	1.07	1.38	2.14	2.78	4.36	5.7
	NC	20	28	33	39	43	50
8	CFM/m	800	900	1100	1300	1500	1700
	M ³ /sec/m	0.378	0.425	0.52	0.61	0.71	0.8
	Neg Ps	1.17	1.31	2.29	2.89	4.61	5.9
	NC	22	31	37	40	45	50



Engineering Guidelines

25mm Slot Width - Model AHS CLSD

No.of Slots							
1	CFM/m	100	150	200	250	300	350
	M ³ /sec/m	0.047	0.071	0.094	0.118	0.142	0.165
	Neg Ps	0.51	1.13	1.98	3.09	4.4	5.89
	NC	<15	18	26	33	38	45
2	CFM/m	250	300	350	400	450	500
	M ³ /sec/m	0.118	0.142	0.165	0.189	0.213	0.236
	Neg Ps	0.85	1.22	1.67	2.13	2.66	3.25
	NC	<15	21	25	29	33	37
3	CFM/m	350	400	450	500	600	700
	M ³ /sec/m	0.165	0.189	0.213	0.236	0.283	0.331
	Neg Ps	0.87	1.11	1.37	1.69	2.39	3.21
	NC	16	21	23	28	31	37
4	CFM/m	400	500	600	700	800	900
	M ³ /sec/m	0.189	0.236	0.283	0.331	0.378	0.425
	Neg Ps	0.64	0.99	1.42	1.92	2.62	3.25
	NC	<15	20	24	28	32	37
5	CFM/m	500	600	700	800	1000	1200
	M ³ /sec/m	0.236	0.283	0.331	0.378	0.472	0.567
	Neg Ps	0.64	0.92	1.25	1.59	2.46	3.49
	NC	<15	21	25	27	32	39
6	CFM/m	600	700	800	1000	1200	1400
	M ³ /sec/m	0.283	0.321	0.378	0.472	0.567	0.66
	Neg Ps	0.67	0.83	1.39	1.77	3.85	3.8
	NC	16	23	27	28	34	40
7	CFM/m	700	800	1000	1200	1400	1600
	M ³ /sec/m	0.331	0.378	0.472	0.567	0.66	0.76
	Neg Ps	0.75	0.91	1.48	1.92	2.95	3.8
	NC	17	24	28	29	35	40
8	CFM/m	800	900	1100	1300	1500	1700
	M ³ /sec/m	0.378	0.425	0.52	0.61	0.71	0.8
	Neg Ps	0.83	0.91	1.56	1.99	3.12	3.94
	NC	17	24	30	32	37	42

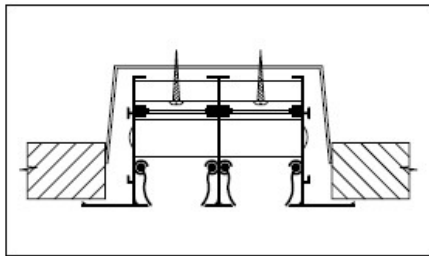


Engineering Guidelines

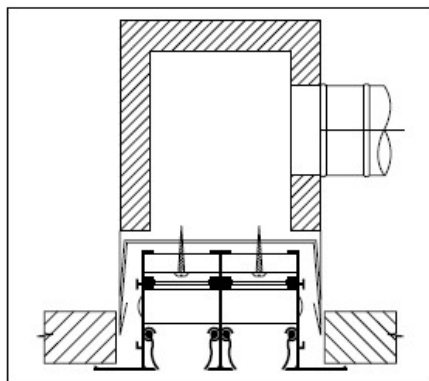
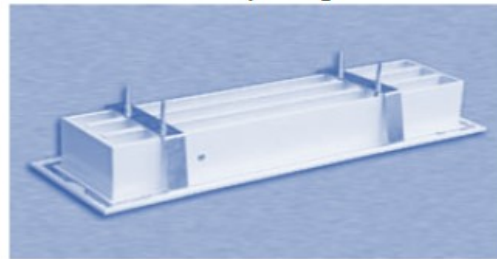
20mm Slot Width - Model AHS CLSD

No. of Slots							
1	CFM/m	100	150	200	250	300	350
	M ³ /sec/m	0.047	0.071	0.394	0.118	0.142	0.165
	Neg Ps	0.61	1.37	2.41	3.81	5.46	7.37
	NC	<15	19	28	36	42	48
2	CFM/m	250	300	350	400	450	500
	M ³ /sec/m	0.118	0.142	0.165	0.189	0.212	0.236
	Neg Ps	1.02	1.47	2.03	2.62	3.30	4.06
	NC	17	22	27	32	36	40
3	CFM/m	350	400	450	500	600	700
	M ³ /sec/m	0.165	0.189	0.212	0.236	0.283	0.331
	Neg Ps	1.04	1.35	1.68	2.08	2.97	4.01
	NC	17	22	25	30	34	40
4	CFM/m	400	500	600	700	800	900
	M ³ /sec/m	0.189	0.236	0.283	0.331	0.378	0.425
	Neg Ps	0.76	1.19	1.73	2.36	3.25	4.06
	NC	15	21	26	30	35	40
5	CFM/m	500	600	700	800	1000	1200
	M ³ /sec/m	0.236	0.283	0.331	0.378	0.472	0.567
	Neg Ps	0.76	1.12	1.52	1.96	3.05	4.37
	NC	15	22	27	30	35	42
6	CFM/m	600	700	800	1000	1200	1400
	M ³ /sec/m	0.283	0.331	0.378	0.472	0.567	0.66
	Neg Ps	0.83	1.08	1.78	2.18	3.53	4.75
	NC	17	24	29	31	37	43
7	CFM/m	700	800	1000	1200	1400	1600
	M ³ /sec/m	0.331	0.378	0.472	0.567	0.66	0.76
	Neg Ps	0.93	1.13	1.83	2.36	3.66	4.75
	NC	18	25	30	33	38	43
8	CFM/m	800	900	1100	1300	1500	1700
	M ³ /sec/m	0.378	0.425	0.52	0.61	0.71	0.8
	Neg Ps	1.02	1.13	1.96	2.45	3.87	4.93
	NC	18	25	32	35	40	45

Installation Details



Clamp Fixing



Installation with Plenum Box



P.O Box 42707

Factory at LV-16 A, Logistic Village, Phase 2, Hamriyah Free Zone
Sharjah, United Arab Emirates

Tel. +971 (6) 526 4061 / Fax. + 971 (6) 526 4062

Email : sales@airwellcare.com

Web : www.airwellcare.com