



DISC VALVES



Our Product Ranges

Dampers

- 1 Fire Dampers
- 2 Fire / Smoke Dampers
- 3 Volume Control Dampers
- 4 Motorized Control Dampers
- 5 Pressure Relief Dampers /Non Return Dampers

Variable Air Volumes

- 6 Pressure Independent VAV
- 7 Constant Air Volume VAV
- 8 By Pass VAV

Louvers

- 9 Sand Trap Louvers
- 10 Acoustic Louvers
- 11 Stationery Louvers / Architectural Louvers
- 12 Storm Louvers
- 13 Weather Louvers

Sound Attenuators

- 14 Rectangular Sound Attenuators
- 15 Circular Sound Attenuators
- 16 Crosstalk Attenuators

Electric Duct Heaters

- 17 Flange & Slip 'n' Type
- 18 Modulating & On/Off Type

Air Outlets

- 19 Registers & Grilles
- 20 Diffusers (Linear Diffusers, Sq. & Rect. Ceiling Diffusers, Round Diffusers, Jetflow Diffusers)
- 21 Swirl Diffusers & Disc Valves
- 22 Drum Louvers

Model : ADV-S

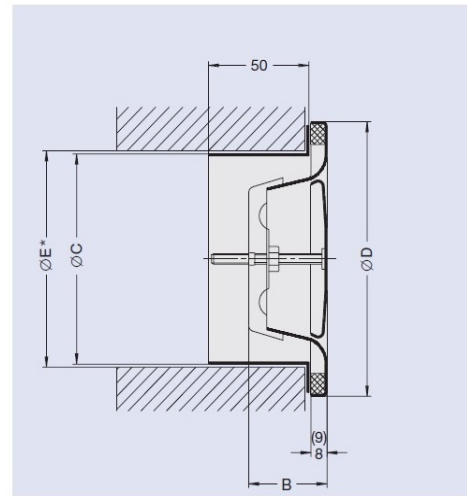
DISC VALVE

Airwellcare Disc Valves or Exhaust Air Valves are suitable for all types of ventilation systems in HVAC. Air valves are manufactured from steel sheets. The inner body edges are equipped with a cellular plastic gasket to form an air-tight seal. The air volume flow rate is adjusted by rotating the central disc, which alters the size of the gap. The central disc is held in position with a locknut.



Construction Details

- Frame and disc and mounting rings are made of high quality galvanized steel sheet.
- Disc is attached to the frame by threaded rod.
- Air flow can be adjusted by regulating the cone up or down.
- Foam gasket is sealed around the back of the frame to avoid air leakage.
- Mounting can be done in wall, ceiling or exposed air ducts with mounting rings.



Dimensions (mm)

Size	B	Ø C	Ø D	Ø E	Weight in (Kgs.)
100	40	100	136	104	0.200
125	46	125	162	129	0.300
150	54	150	200	152	0.450
200	64	200	247	201	0.600

Finish & Colour

Standard Powder Coating finish as per RAL 9010

DISC VALVE

Engineering & Performance Data

Neck size in mm dia	Position of disc	Air flow rate								
		CFM	10	20	40	60	80	100	120	140
		M ³ /sec	0.0047	0.0094	0.0189	0.0283	0.0378	0.0472	0.0567	0.0661
80	A =+10	P _t in mm H ₂ O NC in dB	0.76 <20	1.83 22	5.6 38	-----	-----	-----	-----	-----
	A =0	P _t in mm H ₂ O NC in dB	1.22 <20	3.4 26	9.6 44	-----	-----	-----	-----	-----
	A =-10	P _t in mm H ₂ O NC in dB	2.04 <20	5.6 35	>20 >45	-----	-----	-----	-----	-----
100	A =+10	P _t in mm H ₂ O NC in dB	0.51 <20	1.12 <20	3.46 30	6.6 38	-----	-----	-----	-----
	A =0	P _t in mm H ₂ O NC in dB	0.71 <20	2.04 20	6.11 36	11.21 44	-----	-----	-----	-----
	A =-10	P _t in mm H ₂ O NC in dB	1.43 <20	4.08 31	12.23 45	>20 >45	-----	-----	-----	-----
125	A =+10	P _t in mm H ₂ O NC in dB	0.41 <20	1.12 <20	3.06 26	5.61 33	9.2 42	-----	-----	-----
	A =0	P _t in mm H ₂ O NC in dB	0.82 <20	1.83 <20	5.61 33	9.4 40	14.78 >45	-----	-----	-----
	A =-10	P _t in mm H ₂ O NC in dB	1.22 <20	3.06 26	8.87 42	16.3 >45	>20 >45	-----	-----	-----
150	A =+10	P _t in mm H ₂ O NC in dB	<0.4 <20	0.61 <20	1.83 20	4.3 25	5.7 31	9.2 37	12.7 40	-----
	A =0	P _t in mm H ₂ O NC in dB	<0.4 <20	1.22 <20	3.78 25	8.2 35	11.2 41	18.3 45	>20 >45	-----
	A =-10	P _t in mm H ₂ O NC in dB	1.0 <20	2.75 30	8.2 41	16.3 >45	>20 >45	>20 >45	>20 >45	-----
200	A =+10	P _t in mm H ₂ O NC in dB	<0.4 <20	<0.4 <20	0.82 <20	1.63 <20	3.1 22	4.1 25	5.1 33	7.9 37
	A =0	P _t in mm H ₂ O NC in dB	<0.4 <20	0.71 <20	1.83 <20	4.1 24	5.61 30	9.1 36	10.7 40	18.3 45
	A =-10	P _t in mm H ₂ O NC in dB	<0.4 <20	1.22 <20	4.3 26	7.6 35	10.7 39	18.3 45	>20 >45	>20 >45

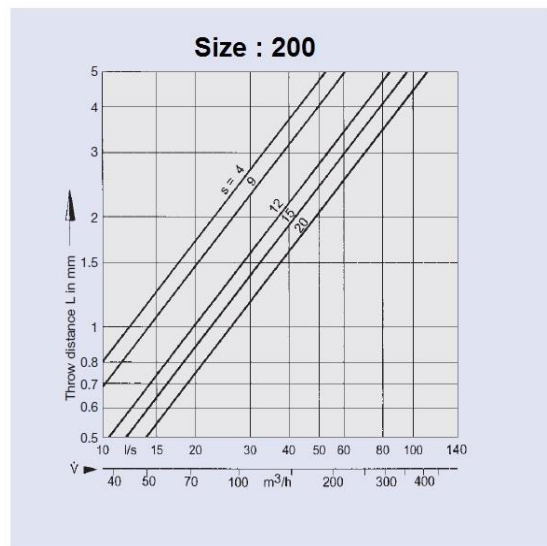
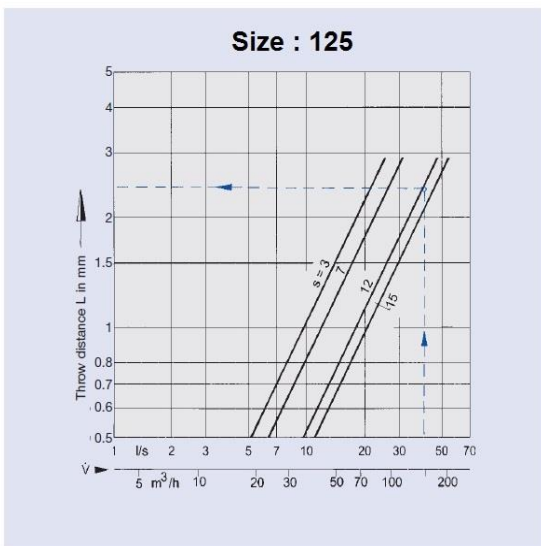
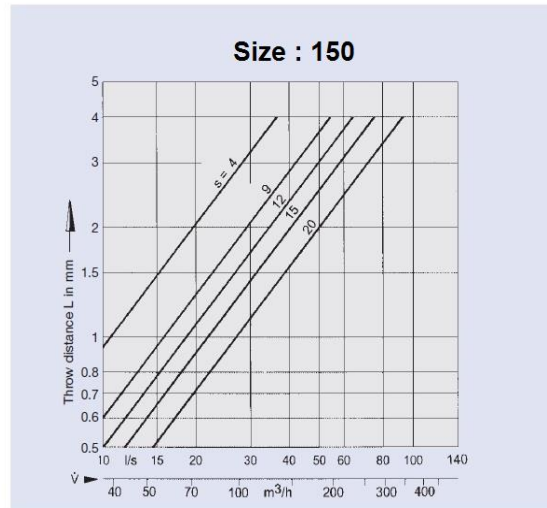
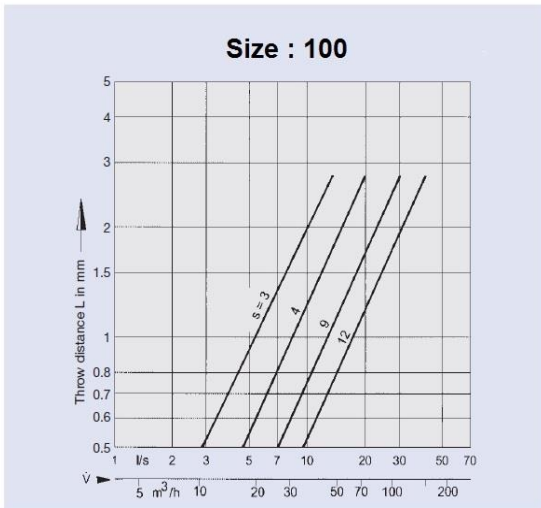
- P_t = Total pressure loss across the disc valve in mm of H₂O.
- NC based on a room attenuation of 10 dB.
- A = +10,0 & -10 = Position of the disc 10 mm down of normal position, at normal position, and 10 mm above normal position.

Model : ADV-S

DISC VALVE

Engineering & Performance Data

Throw Distance





P.O Box 42707

Factory at LV-16 A & B, Logistic Village, Phase 2, Hamriyah Free Zone
Sharjah, United Arab Emirates

Tel. +971 (6) 526 4061 / Fax. + 971 (6) 526 4062

Email : sales@airwellcare.com

Web : www.airwellcare.com



The contents of the catalogue is subject to change without notice / All rights reserved — Airwellcare